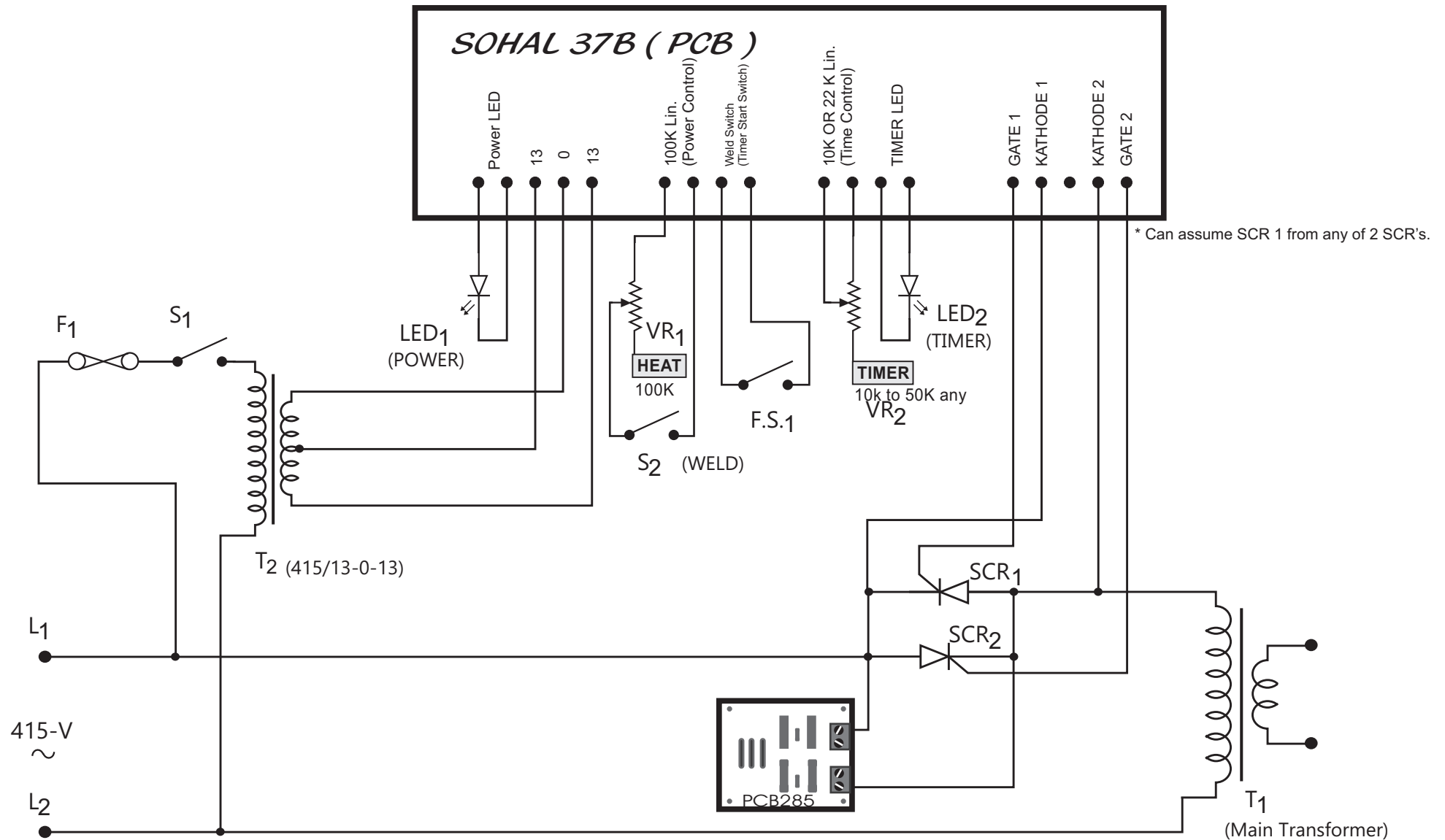


CIRCUIT DIAGRAM OF SPOT WELDING MACHINE (TC ,LX & LXI Series)



* updated Sep 2015