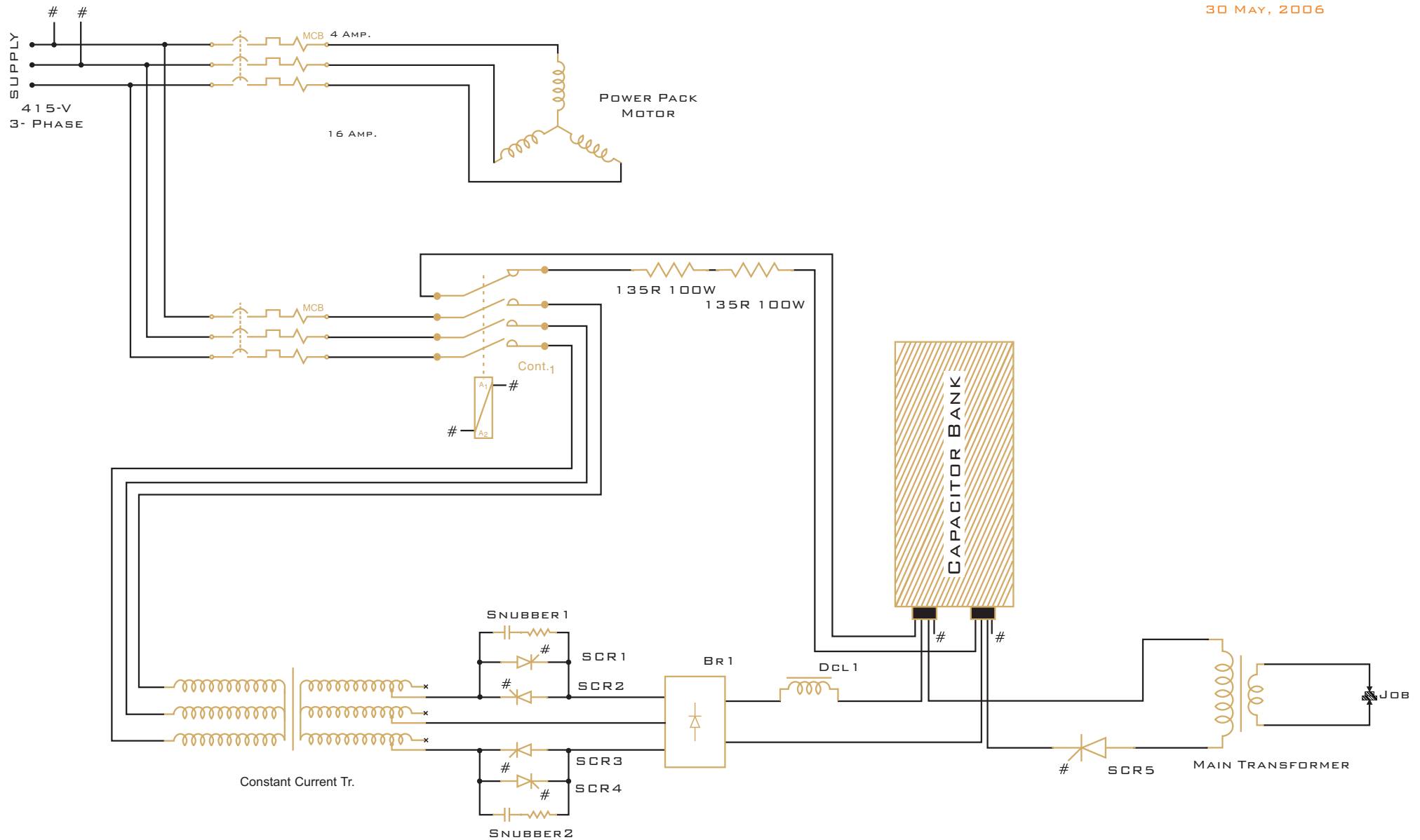


CONNECTION DIAGRAM OF STORED ENERGY SE-12 HYDRAULIC

30 MAY, 2006



ALL POINTS MARKED WITH # HAVE CONNECTED TO CONTROL PANEL